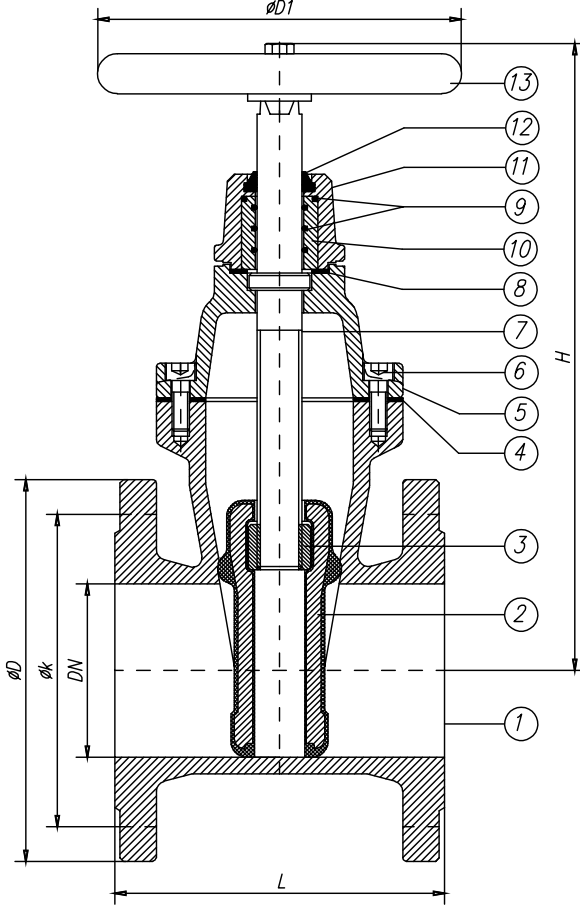


RESILIENT SEAT GATE VALVE ELASTOMER SÜRGÜLÜ VANA

VESV-10-16-25



O-RING SYSTEM / O-RING SİSTEMLİ
Design / Dizayn: EN 1171
Pressure Rate / Basınç Aralığı: PN10-16-25
Size Range / Ölçü Aralığı: DN40-DN600
Flange Ends / Flanş: DIN EN 558-1-14



1
Gate Valves

NO	PART NAME	PARÇA ADI	MATERIAL / MALZEME	NO	PART NAME	PARÇA ADI	MATERIAL / MALZEME
1	Body	Gövde	GGG-25 / GGG 40	8	Gasket	Conta	EPDM / NBR
2	Wedge	Sürgü	GGG-40 + Rubber&Nylon	9	O-Ring	O-Ring	EPDM / NBR
3	Stem nut	Sürgü Somunu	Ms 58 /Bronze	10	Teflon Bush	Mil Yatağı	PTFE (Teflon)
4	Gasket	Conta	EPDM / NBR	11	Gland	Glend	GGG-25 / GGG 40
5	Bonnet	Kapak	GGG-25 / GGG 40	12	Cleand Gasket	Toz Contası	EPDM / NBR
6	Bolt	Civata	8,8	13	Handwheel	Volan	GG 20
7	Stem	Mil	AISI 420,304,316				

Nominal Pressure / Anma Basıncı	PN	10 - 16													
Nominal Diameter / Anma Çapı	DN	40	50	65	80	100	125	150	200	250	300	350	400	500	600
Valve Dimensions / Vana Boyutları DIN EN 1171 DIN EN 558-1-14	L	140	150	170	180	190	200	210	230	250	270	290	310	350	390
	H	230	240	285	310	345	385	460	535	635	710	840	920	990	1125
	D1	160				200	250			315		400		500	
Flange Dimensions / Flanş Ölçüleri DIN EN 1092-2 PN 10	D	150	165	185	200	220	250	285	340	395	445	505	565	670	780
	k	110	125	145	160	180	210	240	295	350	400	460	515	620	725
	Øxad	Ø18x4				Ø18x8		Ø22x8		Ø22x12		Ø22x16	Ø26x16	Ø26x20	Ø30x20
Weight / Ağırlık	kg	9,3	11,5	16,0	19,5	27,0	29,0	46,0	63,0	90,0	125,0	210,0	270,0	435,0	655,0
Flange Dimensions / Flanş Ölçüleri DIN EN 1092-2 PN 16	D	150	165	185	200	220	250	285	340	405	460	520	580	715	840
	k	110	125	145	160	180	210	240	295	355	410	470	525	650	770
	Øxad	Ø18x4				Ø18x8		Ø22x8	Ø22x12	Ø26x12		Ø26x16	Ø30x16	Ø33x20	Ø36x20
Weight / Ağırlık	kg	9,3	11,5	16,0	19,5	27,0	29,0	46,0	63,0	94,0	130,0	220,0	280,0	450,0	670,0